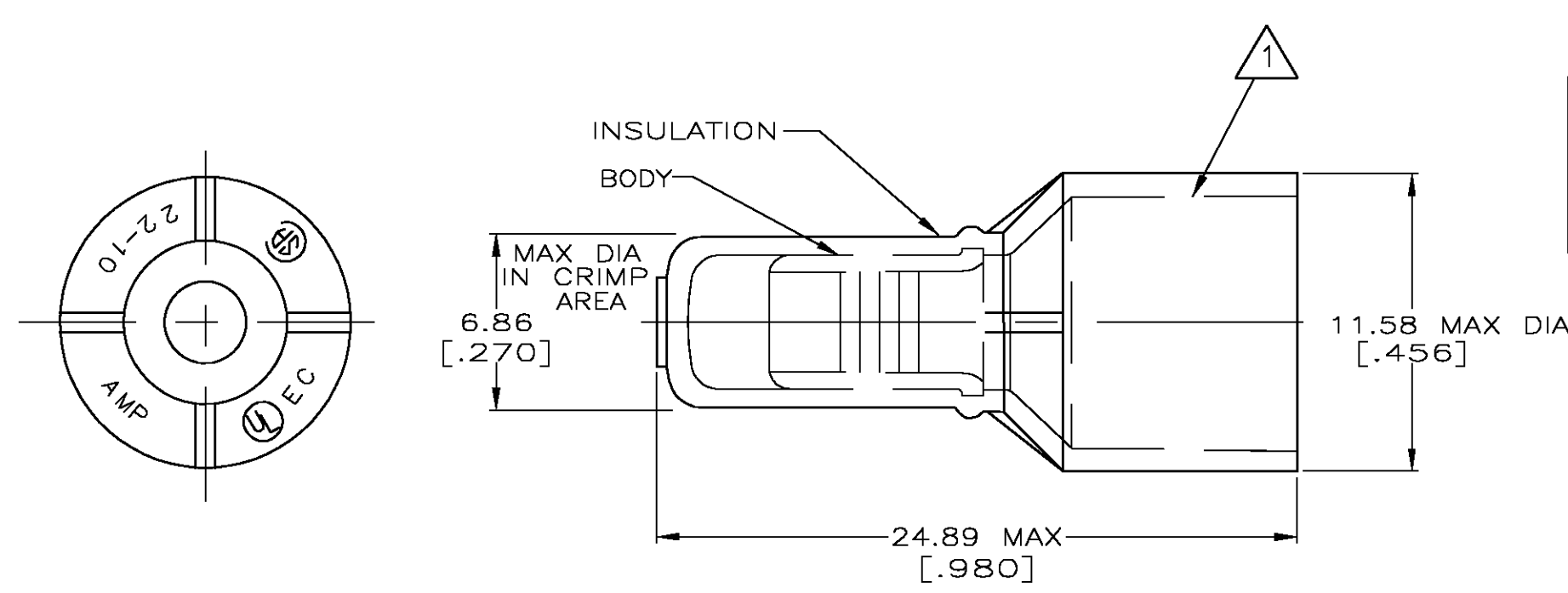


THIS DRAWING IS UNPUBLISHED. RELEASED FOR PUBLICATION  
 © COPYRIGHT BY TYCO ELECTRONICS CORPORATION. ALL RIGHTS RESERVED.

LOC	DIST	REVISIONS					
		P	LTR	DESCRIPTION	DATE	DWN	APVD
G	14		S	REV PER 0G3A-0256-04	12APR04	JR	TM

- △1 FOR 9.40 [.370] MAX WIRE INSULATION DIA
- △2 SUPERSEDED BY 53915-1
- △3 MATERIAL: BODY; COPPER PER ASTM B152 INSULATION; NYLON COLOR; SEE TABLE
- △4 FINISH: BODY; TIN PL. PER ASTM B545



<b>AMP</b> WIRE RANGE	Listed	LR7189 Certified
22-10 AWG SOLID OR STRANDED	22-10 AWG SOLID OR STRANDED	22-10 AWG SOLID OR STRANDED

△2 OBS	100	LOOSE PC BOX (NATURAL)	8-53915-1
OBS	-	LOOSE PIECE (BLACK)	53915-4
	1500	TAPE MOUNTED	53915-2
	1000	LOOSE PIECE (NAT'L)	53915-1
	QTY	DESCRIPTION	PART NO

<b>AMP INCORPORATED CUSTOMER SERVICE SYSTEMS</b>		<b>MAX RECOMMENDED OPERATING TEMPERATURE:</b> 105° C MAX	THIS DRAWING IS A CONTROLLED DOCUMENT.		DWN G KRUPER 1/12/93	Tyco Electronics Corporation Harrisburg, Pa 17105-3608		
FOR ADDITIONAL PRODUCT INFORMATION OR COPIES OF DRAWINGS AND TECHNICAL DOCUMENTS	PRODUCT INFORMATION CENTER 1-800-522-6752	VOLTAGE RATING: 600V MAX (BUILDING & WIRING) 1000V MAX (FIXTURES & SIGNS)	DIMENSIONS: INCHES	TOLERANCES UNLESS OTHERWISE SPECIFIED:	CHK R HERSEY 1/12/93	NAME M ELLIS UL 486 C		
FOR APPLICATION TOOLING INFORMATION	TOOLING ASSISTANCE CENTER 1-800-722-1111	CIRCULAR MIL AREA: 1.65-6.64mm² [3248-13100] SOLID OR STRANDED		0 PLC ± - 1 PLC ± - 2 PLC ± 0.20 [.008] 3 PLC ± - 4 PLC ± - ANGLES ± -	APVD M ELLIS 1/12/93	PRODUCT SPEC APPLICATION SPEC		
FOR ORDER ENTRY	1-800-526-5142	THIS DRAWING IS A CONTROLLED DOCUMENT FOR AMP INCORPORATED. IT IS SUBJECT TO CHANGE AND THE CONTROLLING ENGINEERING ORGANIZATION SHOULD BE CONTACTED FOR THE LATEST REVISION.	MATERIAL - △3	FINISH - △4	SIZE A3	CAGE CODE 00779	DRAWING NO C-53915	RESTRICTED TO -
CUSTOMER DRAWING					SCALE 4:1	SHEET 1 OF 1	REV S	